



*Moulding the Future*

# decocrete

**STREET FURNITURE / URBAN FABRICATIONS**



**decocrete** products are aimed at satisfying the demand for a Street Furniture Product which could achieve a high level of detail in the casting process, allowing one to personalize the product through the inclusion of specialized trade marks, motifs or logos. Because of the nature of the product, this also allows the customer the option to choose a variety of shapes and surface textures.

The ever expanding product range delivers a product to the customer which is light, offers an endless variety of finishes and textures, and is tailored to meet the specific requirements of the customer regarding design, detail and finishes. These Bollards offer five easy installation alternatives being Nib Installation, Bolt Plate, Cottre Adaptor, direct concrete base or removable adaptor. As with all other Resocrete products the bollards are available in a wide range of natural stone finishes or epoxy coated options giving you a strong, durable, UV stable and weather resistant product.



**Gateway Shopping Centre**  
**Durban**  
**Gateway Major & Minor Bollards**



**King Shaka Airport**  
**Durban**  
**Bollards & Street Furniture**



**Liberty Midlands Mall**  
**Gatedhed Bollards**



**Melrose Arch Bollard**



# decocrete

*Moulding the Future*

## SPECIALIZED STREET & ORDINANCE SIGNAGE

**decocrete** products are aimed at satisfying the demand for a Street Furniture Product which could achieve a high level of detail in the casting process, allowing one to personalize the product through the inclusion of specialized trade marks, motifs or logos. The nature of the product allows the customer the option to choose a variety of shapes and endless surface textures. **decocrete** is available in a wide range of natural stone finishes or epoxy coated options.

The ever expanding product range delivers a product to the customer light in weight, easy to install and tailored to meet the specific requirements of the customer. Being impervious to water, paint does not peel or bubble and therefore is a maintenance free product with 98% green build properties.

**decocrete** is strong, durable, UV stable, weather resistant and has a high shock absorbency. There is no scrap value and therefore **decocrete** signs are not prone to theft.

## **TACTILE GROUND SURFACE INDICATOR (TGSI)**

Conforming to the Australian Standards AS 1428.4 - 1992 "design for Access and Mobility Part 4: Tactile Ground Surface Indicators for the orientation of people with vision impairment", the resocrete TGSI is made from our specialised Mod 2 Natural Stone, resin bonded material, and offers a product which is highly durable and is available in a wide range of colours or natural stone finishes. The TGSI's are laid using a standard floor tile epoxy, allowing for a 2mm grouting gap between tiles.



Zimbali Estate street signs and posts



Sign at Le Domaine Retirement Village Hillcrest



Ordinance Sign



## CUSTOM PRODUCTS

**resocrete** has developed a range of formulations (15 mods) from which a wide range of products can be manufactured.

This variability allows **resocrete** to custom manufacture products from Hare Krishna Temple Domes to Wall paneling, custom and branded floor tiles to decorative panels and details.

This allows us to develop goods aimed at satisfying the demand for products which could achieve a high level of detail in the manufacturing process, allowing one to personalize the product through the inclusion of unique design, specialized trade marks, motifs or logos. Because of the nature of the product, this also allows the customer the option to choose a variety of shapes, colours and surface textures.



**Floor Tiles**

**Lizzard Clothing Franchise**



**Hare Krishna Temple Phoenix**



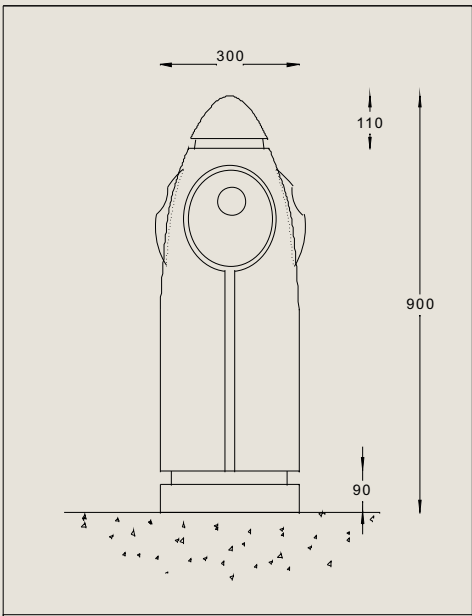
**Midlands Mall**



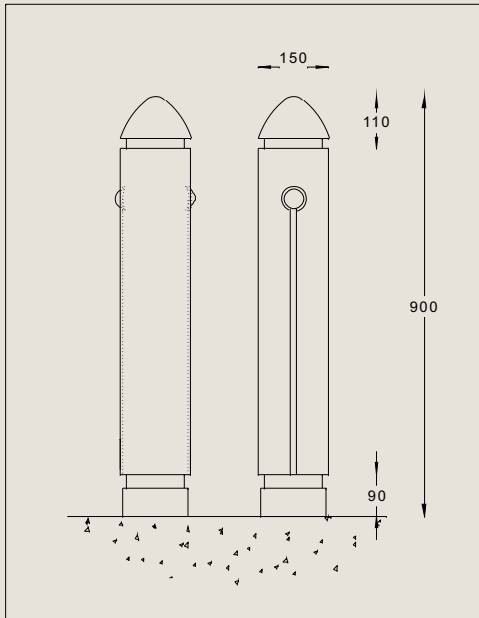
**Bali Fence La Lucia**



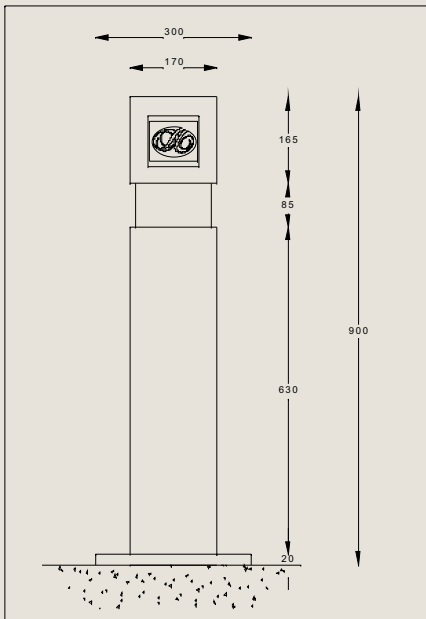
**Custom Stone Dome Plettenburg Bay**



**MELROSE MAJOR BOLLARD MOUNTED WITH NIB INSTALLATION SYSTEM**

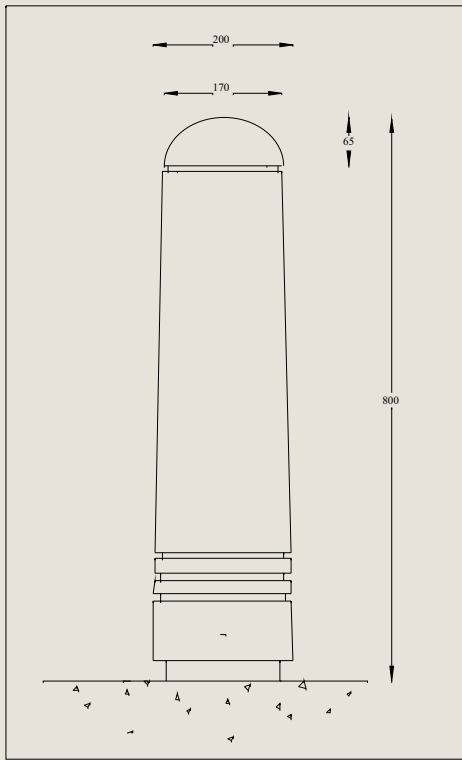


**MELROSE MINOR BOLLARD MOUNTED WITH NIB INSTALLATION SYSTEM**

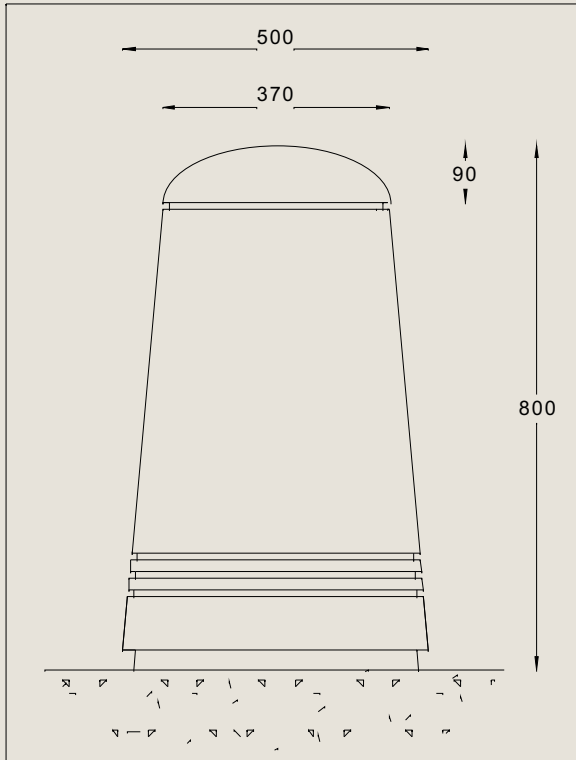


**PINNACLE BOLLARD MOUNTED WITH BOLT PLATE**





**GATEWAY MINOR BOLLARD MOUNTED WITH NIB INSTALLATION SYSTEM**



**GATEWAY MAJOR BOLLARD MOUNTED WITH NIB INSTALLATION SYSTEM**



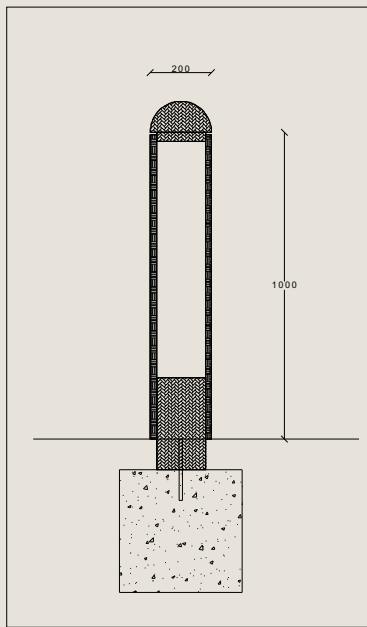
**GATEWAY MAJOR BOLLARD LITTER BIN ALTERNATIVE**



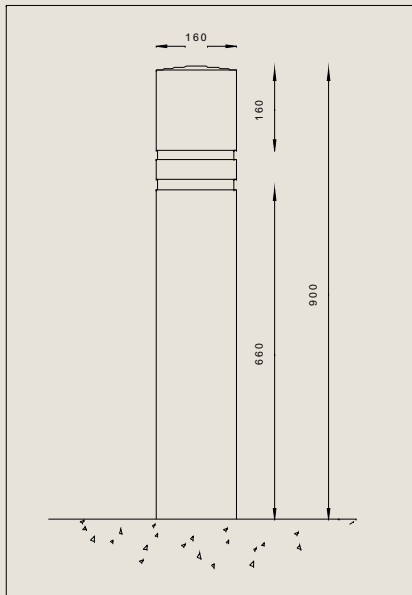
**GATEWAY MAJOR BOLLARD LITTER BIN ALTERNATIVE**



**GATEWAY MAJOR BOLLARD ASH BIN ALTERNATIVE**



**BARREL BOLLARDS MOUNTED USING NIB ATTACHMENT**



**GATESHEAD BOLLARD MOUNTED ON LOCKABLE REMOVABLE ADAPTOR**



**ORDINANCE SIGNS**



**INVICTUS 1800  
MONK BENCH AND TABLE**



**INVICTUS 1500 MONK BENCH**



**INVICTUS 1500 BENCH**



**SPARTACUS 1500 BENCH**

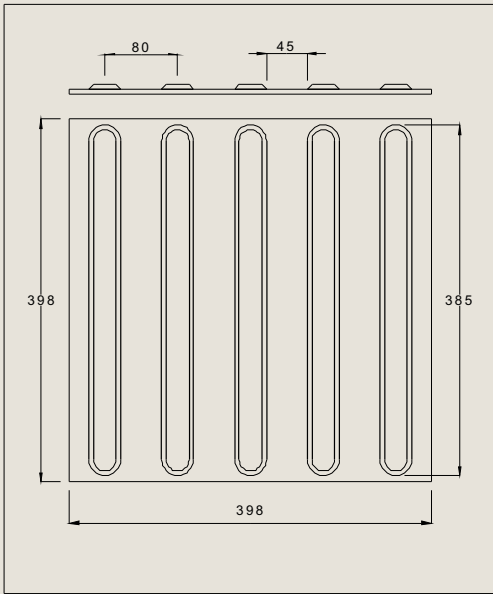


**DUBE SQUARE LIGHT BOLLARD**

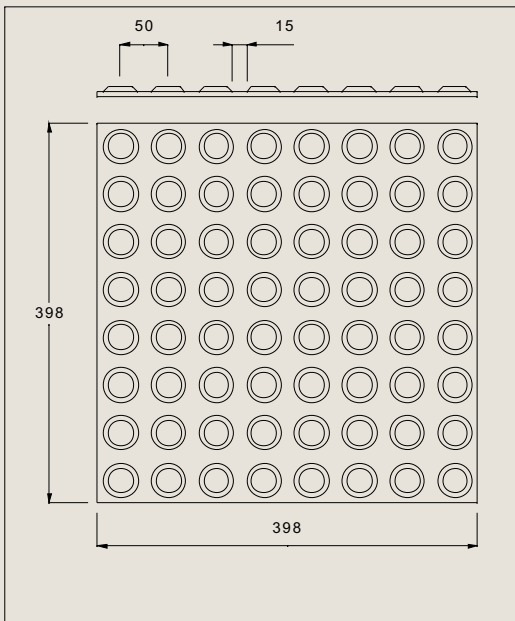
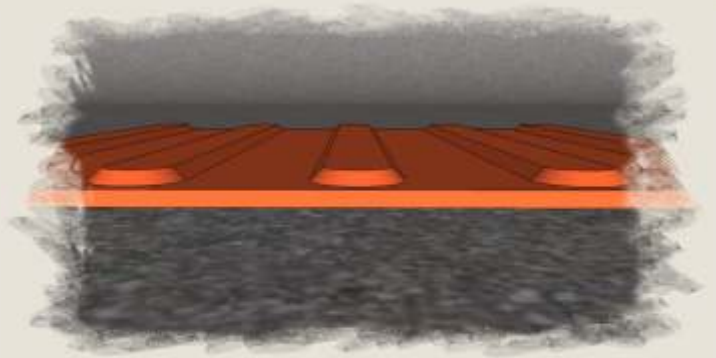
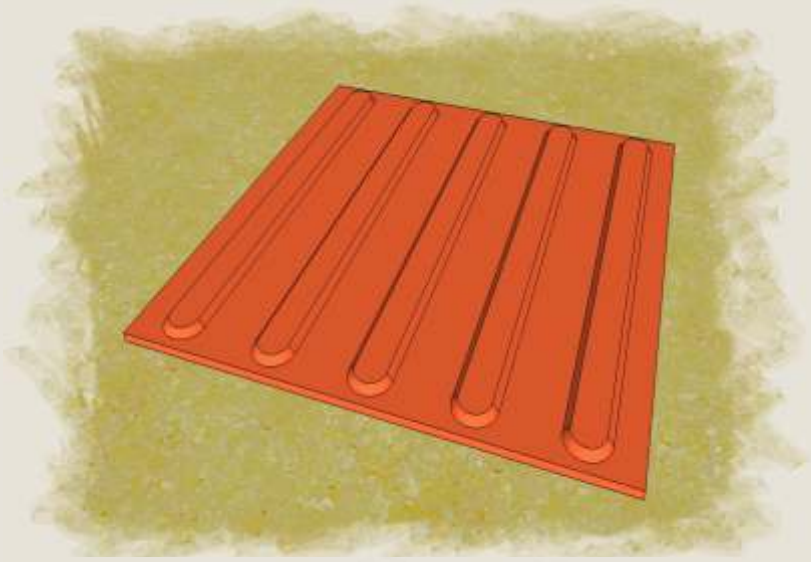


**DUBE SQUARE BOLLARD**

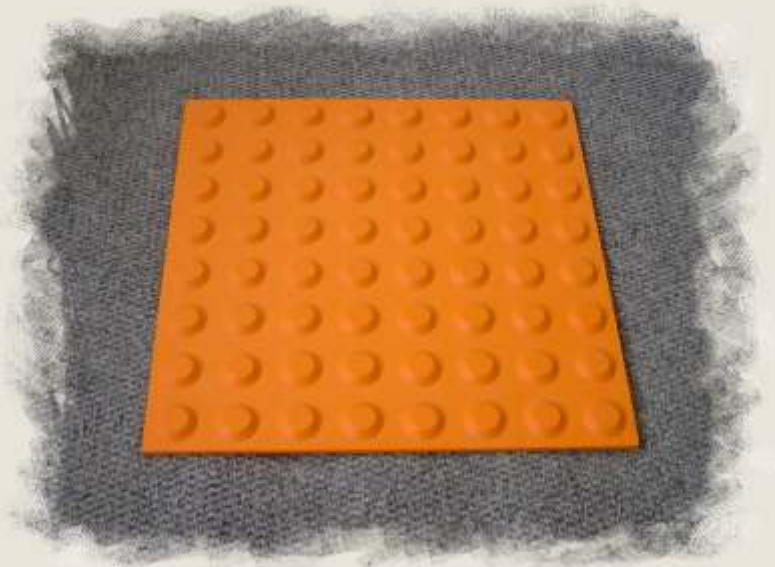




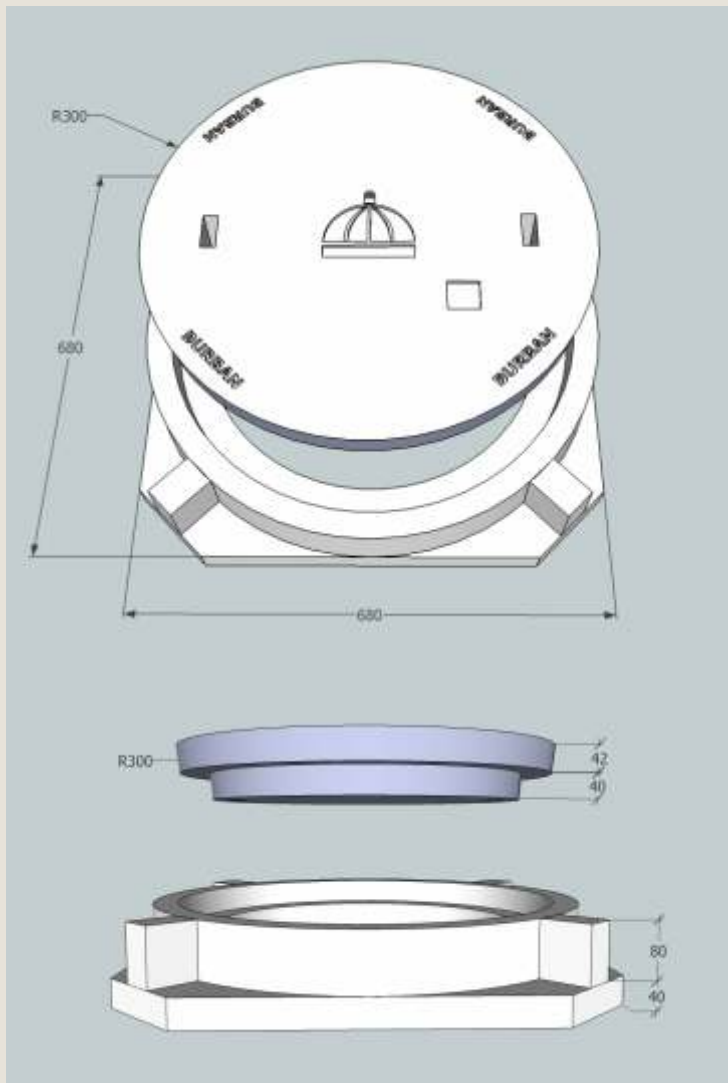
PLAN VIEW AND SECTION OF  
DIRECTIONAL TACTILE GROUND SURFACE INDICATOR



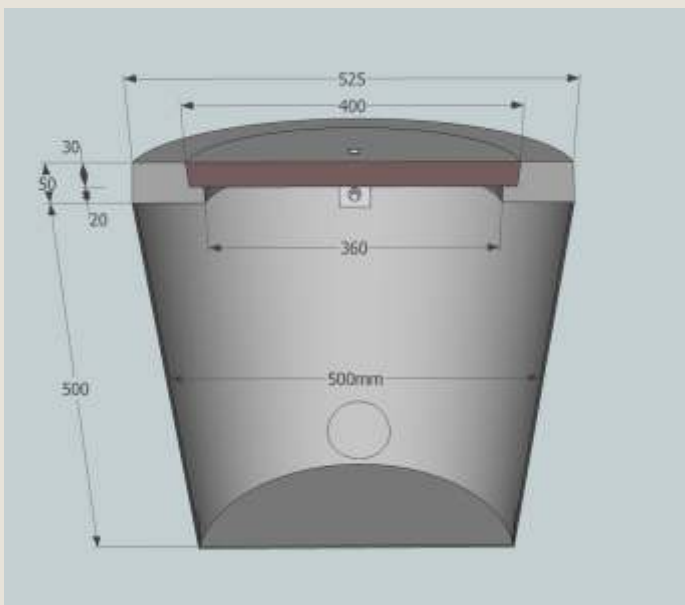
PLAN VIEW AND SECTION OF  
STATIC TACTILE GROUND SURFACE INDICATOR



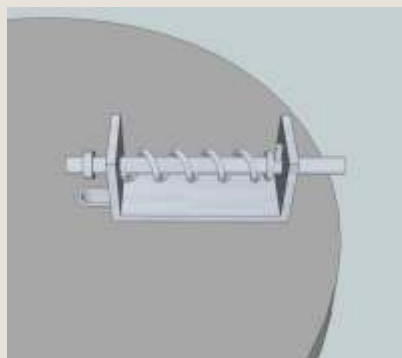




**MANHOLE RING / COVER  
600 HD**



**SECTION THROUGH MANHOLE PREFORM 400**



**MANHOLE PREFORM 400  
SHOWING LID WITH UNIQUE  
TAMPER-PROOF LOCKING SYSTEM**