

# decocrete

## STREET FURNITURE



### GATEWAY MAJOR BOLLARD

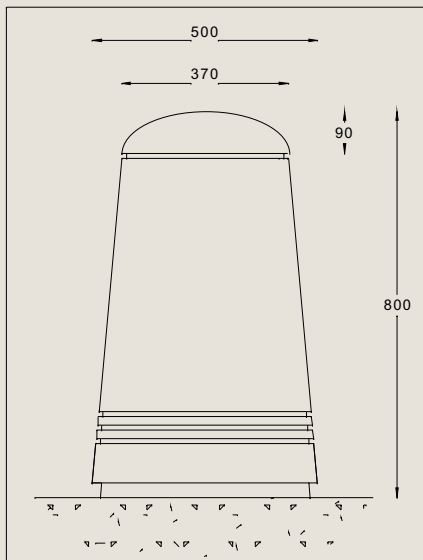
#### SPECIALIZED STREET FURNITURE

**decocrete** products are aimed at satisfying the demand for a Street Furniture Product which could achieve a high level of detail in the casting process, allowing one to personalize the product through the inclusion of specialized trade marks, motifs or logos. Because of the nature of the product, this also allows the customer the option to choose a variety of shapes and surface textures.

The ever expanding product range delivers a product to the customer which is light, easy to install, offers an endless variety of finishes and textures, and is tailored to meet the specific requirements of the customer regarding design, detail and finishes.

#### **Characteristics**

- . Can be used in a range of applications;
  - Irrigation / electrical reticulation control
  - Dust bin
  - Ash Bin
- . Available in a wide range of natural finishes or epoxy coated options
- . Strong and durable
- . UV stable & weather resistant



**GATEWAY MAJOR BOLLARD ASH BIN**



**GATEWAY MAJOR BOLLARD LITTER BIN**



**GATEWAY MAJOR BOLLARD MOUNTED WITH NIB INSTALLATION SYSTEM**

#### **Installation**

- 5 easy installation alternatives available:
- . Nib Installation
  - . Bolt Plate
  - . Cottre Adaptor
  - . Direct concrete base
  - . Removable adaptor

#### **Technical Specifications**

- . Mod 1 Natural Stone, resin bonded formulation
- . 12 Mpa flexural strength
- . 95 Mpa compressive strength
- . Impervious to water - paint doesn't peel
- . Outstanding UV resistance
- . High shock absorbency
- . Resistant to biological attack
- . Maintenance free

Visit our web-site at [www.resocrete.co.za](http://www.resocrete.co.za)

Copyright - all information contained in this document is copyright and is the property of Resocrete