

modumould

moducill



Moulding the Future

ASCOT PROFILE

LOW MAINTENANCE MODULAR WINDOW CILLS

As the name suggests, the **moducrete** range consists of a spectrum of modular products which, through unique design and assembly innovations, results in quick installation, reducing erection time on site, and minimising disruptions to the work place.

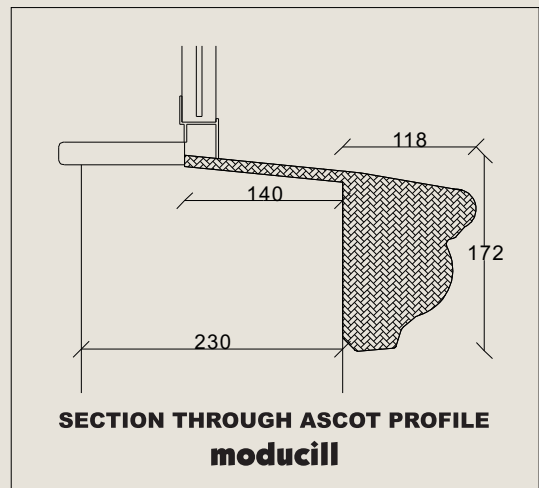
Made from **resocrete** MOD 2 and MOD 10, both fire rated formulations with their superior structural and aesthetic characteristics, these systems result in low maintenance products, with all the beauty and deco-enhancing characteristic unique to the **resocrete** range of products. Now a truly Maintenance Free windowcill system with no more expensive sanding down and recoating.

Available in either base grey or in a wide variety of natural stone finishes, our **moducill** system consists of either an internal or external cill or both cast in one component. All standard sizes available.

As the **moducill** is made from a non-porous substrate, there is no need for the application of damp-proof course, and the **moducill** is simply laid into place, bedded on cement mortar. The window frame is then fitted over the rebate lip to ensure no ingress of rain or the elements. As an added provision, we advise that a bead of silicone be applied between the window frame and cill interface to provide for a maximum weather seal.

Technical Specifications

- . Available in all standard lengths and depths.
- . Mod 2 and 10 Natural Stone, resin bonded formulation
- . 22 Mpa flexural strength
- . 110 Mpa compressive strength
- . Impervious to water - paint doesn't peel
- . Outstanding UV resistance
- . High shock absorbency
- . Resistant to biological attack
- . Maintenance free
- . Fire rated



Characteristics

- . Lightweight
- . Maintenance free so no sanding and coating every year
- . Modular system, therefore quick, easy and hassle free installation
- . A wide range of colours to choose from
- . Impervious to water.
- . Available in all standard lengths and to suit all thicknesses of walls
- . Custom lengths available on bulk orders

**MODUCILL WITH MOULDED WINDOW SURROUNDS
HOUSE NEVES - LA LUCIA**

Visit our web-site at www.resocrete.co.za

Copyright - all information contained in this document is copyright and is the property of Resocrete