

# modumould

## moducill



*Moulding the Future*

## WINDOWCILL

### LOW MAINTENANCE MODULAR WINDOW CILLS

As the name suggests, the **modumould** range consists of a spectrum of modular products which, through unique design and assembly innovations, results in quick installation, reducing erection time on site, and minimising disruptions to the work place.

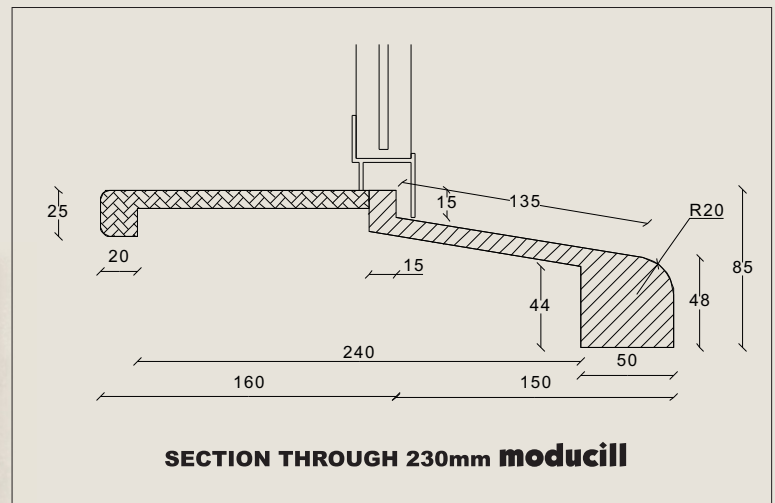
Made from **resocrete** MOD 2 and MOD 10, both fire rated formulations, with their superior structural and aesthetic characteristics, these systems result in low maintenance products, with all the beauty and deco-enhancing characteristics unique to the **resocrete** range of products. Now a truly maintenance free windowcill system with no more expensive sanding down and re-coating required.

Available in our base grey to allow for painting, or in a wide array of natural stone colours, our **moducill** system consists of either a separate internal or external cill, or both manufactured as one component. They also come in a range of different depths, to accommodate single, double or even cavity walls, as well as all standard lengths.

As the **moducill** is made from a non-porous substrate, there is no need for the application of a damp-proof course, and the **moducill** is simply laid into place, bedded on cement-mortar. The window-frame is then fitted over the rebate lip to ensure there is no ingress of rain or the elements. As an added provision, we advise that a bead of silicone be applied between the window frame and cill interface to provide for a maximum weather seal.

#### Technical Specifications

- . Available in all standard lengths and depths.
- . Mod 2 and 10 Natural Stone, resin bonded formulation
- . 22 Mpa flexural strength
- . 110 Mpa compressive strength
- . Impervious to water - paint doesn't peel
- . Outstanding UV resistance
- . High shock absorbency
- . Resistant to biological attack
- . Maintenance free
- . Fire rated



#### MODUCILL WITH MOULDED WINDOW SURROUNDS

#### Characteristics

- . Lightweight
- . Maintenance free so no sanding and coating every year
- . Modular system, therefore quick, easy and hassle free installation
- . A wide range of colours to choose from
- . Impervious to water.
- . Available in all standard lengths and to suit all thicknesses of walls
- . Custom lengths available on bulk orders

Visit our web-site at [www.resocrete.co.za](http://www.resocrete.co.za)

Copyright - all information contained in this document is copyright and is the property of Resocrete