

resostruct

Kiosks

resocrete

Moulding the Future

**resostruct BOX KIOSK
1200 x 1200**

Introducing The
resostruct box kiosk 1200 x 1200
addressing the core of Africa's traders needs



Visit our web-site at www.resocrete.co.za

Copyright - all information contained in this document is copyright and is the property of Resocrete

resostruct BOX KIOSK 1200 x 1200



Recently launched from the **moducrete** range of products is the new **StructaBond** Fibre Reinforced Polymer Composite.

Made from primarily waste products, recycled materials, by-product materials and natural stone, and with a zero moisture absorbency, **StructaBond** attains 98% green-build properties whilst retaining superior compressive strength, flexural strength, acoustic damping properties, as well as outstanding thermal blanketing

In trying to satisfy Africa's ever increasing need for affordable trading stores, kiosks and informal structures, **resocrete** was tasked with solving a number of unique and fundamental problems, i.e:

- High transportation costs due to heavy weight of alternative products / concrete
- Transportation challenges due to lack of road infrastructure needed to transport heavy alternatives
- Up to 20 percent breakages during transportation due to fragile nature of concrete
- Slow erection time due to heavy component pieces
- High maintenance and corrosion due to steel frame structure
- Slow production due to curing time of concrete and bricks
- Difficult to move or relocate due to excessive weight and method of construction
- High Carbon Footprint due to manufacture from concrete / cement
- Flexibility of design to suit unique site requirements
- Adaptable and ease of installation in any terrain



Air circulation and ventilation is provided with a 20mm gap between the top of all walls and the roof

To meet the challenges outlined above, **resocrete** have designed the unique **Resostruct Box Kiosk system** which is included in the stable of the **resocrete** range of products, to be used as a top structure for:

- Trader stalls
 - Kiosks
 - Spaza shops
 - Security Huts
 - Control Centres
 - Temporary Housing

The **Resostruct Box Kiosk 1200 x 1200** is designed for fast erection, ease of moving / relocation, superior hygiene and zero maintenance, and as a modular system, can be used in any number of permutations from a single unit to a multiple ablution structure.

Unlike associated products which are made from steel, pre-cast concrete and cement block, the **Resostruct Box Kiosk 1200 x 1200** is fabricated from **resocrete's StructaBond** Fibre Reinforced Polymer Composite resulting in a product with the following characteristics:

Product Characteristics:

- Incredible Light weight and Durable Product (up to 10 times lighter than concrete products)
- Unique galvanised **Eziped** telescopic leveling legs
- Designed with an easy lock system bonding the roof and walls together
- Easy to disassemble and relocate - only 2 people required!
- Sizeable transport savings due to lightweight product
- Simple, efficient and fast erection time (maximum 15 Minutes) using a screwdriver, a spanner and a silicone gun
- Modular wall design flat-packs for ease of transport and is ideal for sites with difficult or inaccessible terrain
- Unlikely transport and erection damage due to High Impact Resistance resulting in large saving in breakages
- Smooth non-porous wall, floor and roof panels are easy to keep clean and therefore far more hygienic than brick or concrete alternatives
- Zero maintenance or corrosion due to resin composite technology
- Doors fitted with injection moulded nylon hinges and unique Dual Operational Slide Latches for added security
- Available as stand alone to fit onto a concrete base, or with the **ResoStruct** base
- 98 percent Green-build fabrication

resostruct BOX KIOSK 1200 x 1200



The **resostruct Box Kiosk 1200 x 1200** is part of the **Modular Box Kiosk** family which range from 1000 x 1000 to 2000 x 2000

The units are assembled using M6 x 20mm galvanised machine screws to attach the Front Door-Walls, Side Walls and Back Walls together and Structural Polyurethane is used to bond the Roof in to place - see installation brochure for reference

Product Specifications

Walls

- Side walls 2200mm high x 1200mm wide - weight 14 kg
- Back wall 2200mm high x 1200mm wide - weight 29.2 kg
- Front Door-wall 2200mm high x 1200mm wide - weight 40.66 kg
- Walls fabricated out of **StructaBond** fibre reinforced polymer
- Top of front and back walls spaced 30mm from roof to aid in ventilation.

Roof

- Roof 1220mm deep x 1220mm wide with central pyramid pitch of 100mm - weight 8.8 kg
- Roof overhangs front and back walls by 30mm to aid in ventilation

Door

- Door size 1720mm high x 690mm wide x 20mm thick
- Doors fitted with Injection Moulded Nylon Hinges
- Doors fitted with Envirosan dual operation latch

Weight

- 4 module ablution block weighs 196 kg
- single ablution block weighs 53.5

Optional Hatch

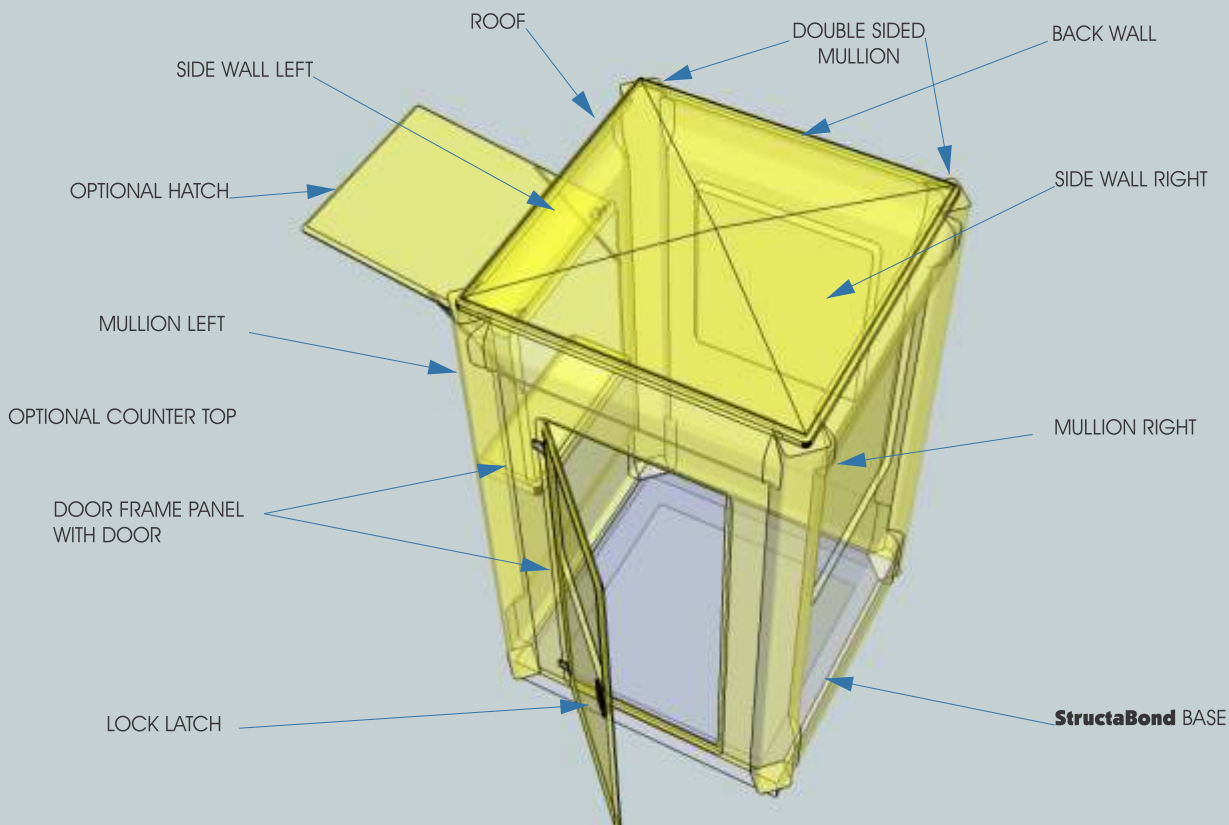
- Serving hatch 815mm high x 690mm wide
- Hatch fitted with Injection Moulded Nylon Hinges
- Hatch fitted with Envirosan dual operation latch
- Hatch fitted with Gas Piston Stays

Optional Counter

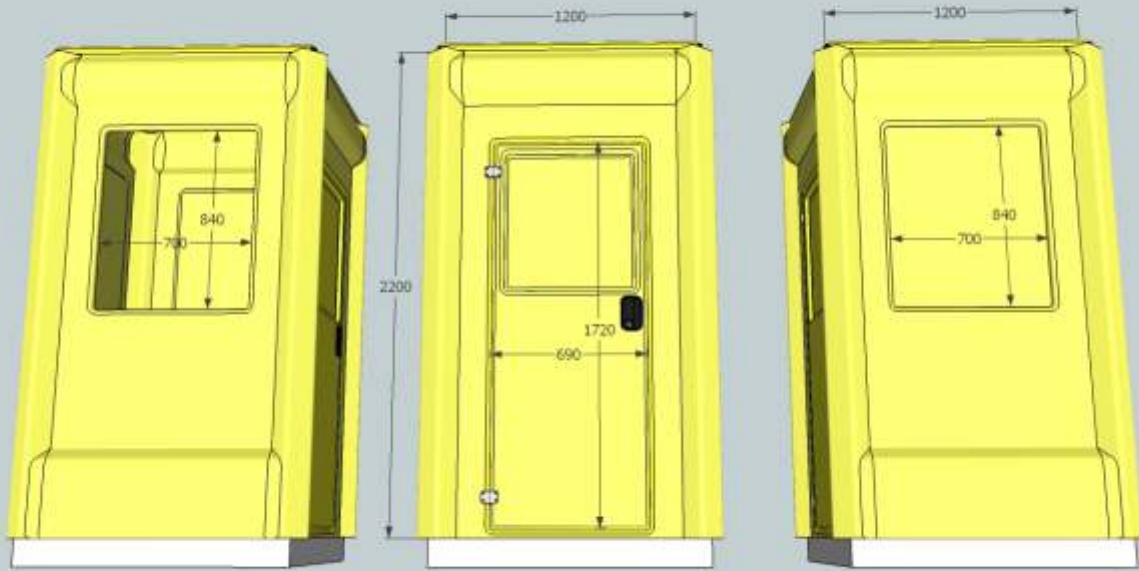
- Counter 670mm wide x 300mm deep
- Counter fitted with presentation hinges - tilts back for storage when closing the Hatch

Optional Base

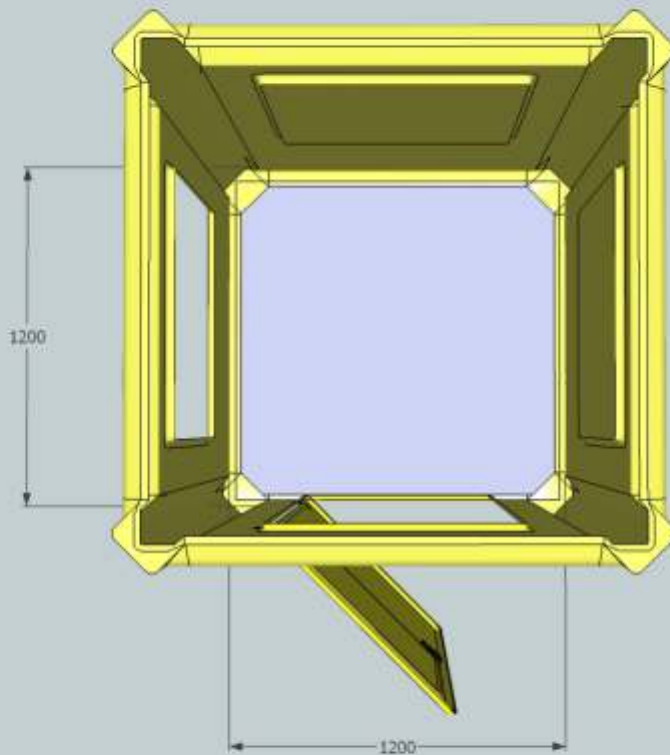
- Base 1200mm wide x 1200mm long fabricated out of 120mm x 120mm x 8mm **StructaBond** fibre reinforced polymer angle sections and 5mm thick top surface with non-slip coating - weight 42.5kg
- Base leveled using 6 x galvanised **Eziped** telescopic leveling legs



resostruct BOX KIOSK
1200 x 1200



ISOMETRIC ELEVATION VIEW



ISOMETRIC PLAN VIEW