

resoloo

Sanitation

resocrete

Moulding the Future

resoloo SINGLE ABLUTION 1200 x 1000

INSTALLATION SYSTEM

Assembly of the **Resoloo Single Ablution 1200 x 1000** is a quick and easy task and should take no more than 15 minutes, provided that the surface on which the installation is taking place is flat

Please follow the steps provided for easy installation



Visit our web-site at www.resocrete.co.za

Copyright - all information contained in this document is copyright and is the property of Resocrete

resoloo SINGLE ABLUTION 1200 x 1000



The **resoloo single ablution 1200 x 1000** is assembled using M6 x 20mm galvanised machine screws to attach the side walls to the mullions and door frame. Similarly, the Toilet Insert is bolted into place through the back wall using M6 x 20mm galvanised machine screws.

The back wall is attached to the side walls by way of tongue-and-groove junctions running the height of the back wall and bonded into place using Structural Urethane.

First, read through these instructions carefully from beginning to end, identifying which parts are which, and checking that you have all of the components listed below for the assembly, namely:

STRUCTURE COMPONENTS

- 1 Curved Back Wall Panel
- 1 Side Wall Panel - Left
- 1 Side Wall Panel - Right
- 1 Door Frame with door fitted
- 1 Mullion - Left
- 1 Mullion - Right
- 1 Toilet Insert

FIXINGS

- 26 M6 X 20mm Galvanized Machine Screws
- 26 M6 Galvanized Hex Head Nuts
- 26 M6 Galvanised Washers

LATCH COMPONENTS

- 1 Dual Operation slide latch
- 1 Slide Latch Cover Plate

FIXINGS

- 4 M5 X 20mm Galvanized CSK Machine Screws
- 4 M5 Galvanized Hex Head Nuts
- 4 M5 Galvanised Washers

ROOF COMPONENTS

- 1 Roof

FIXINGS

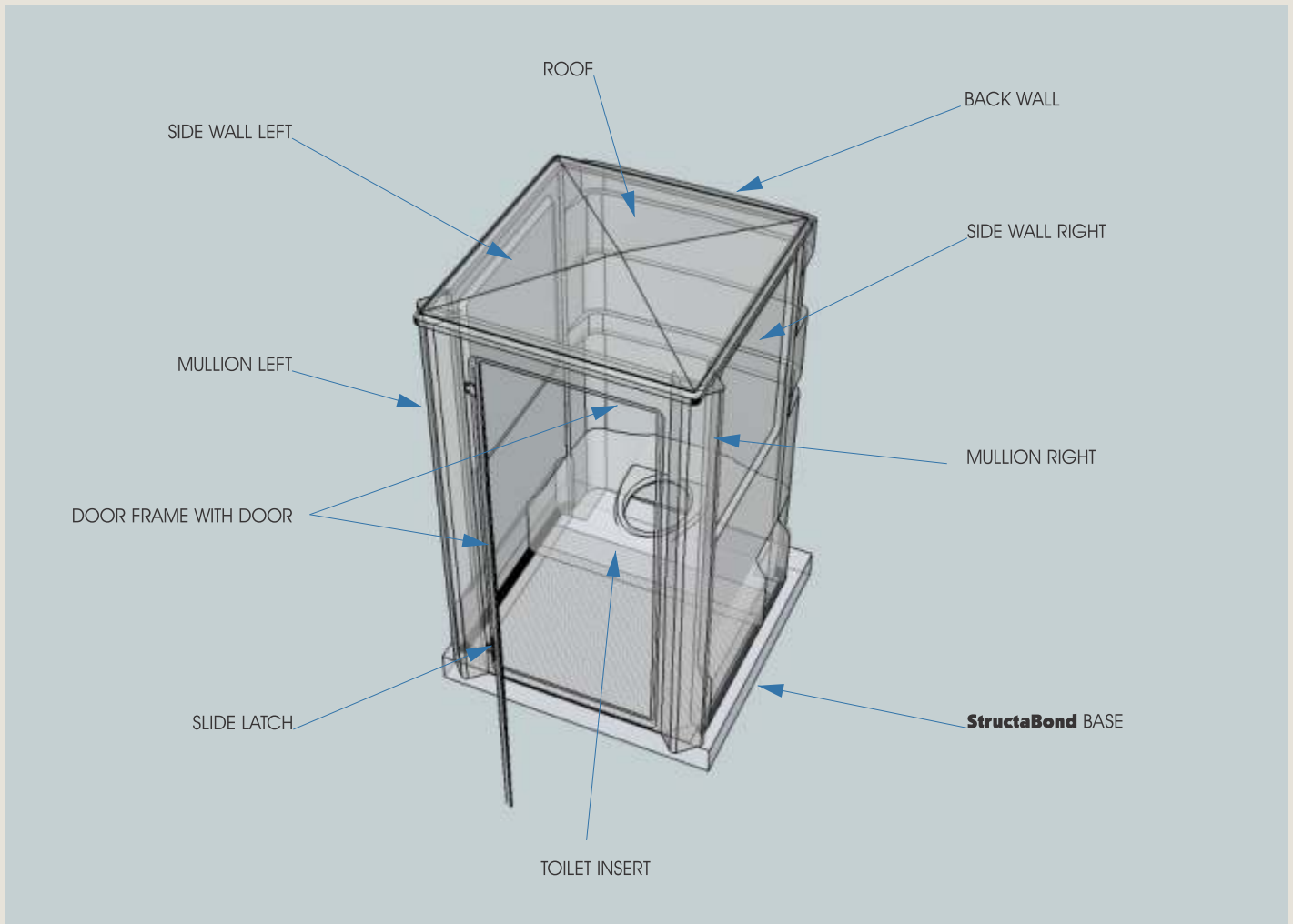
- 4 M8 x 50mm Carriage Bolts (Cup Square)
- 4 M8 Galvanized Hex Head Nuts
- 4 M8 x 25mm Galvanized Fender Washers

OPTIONAL

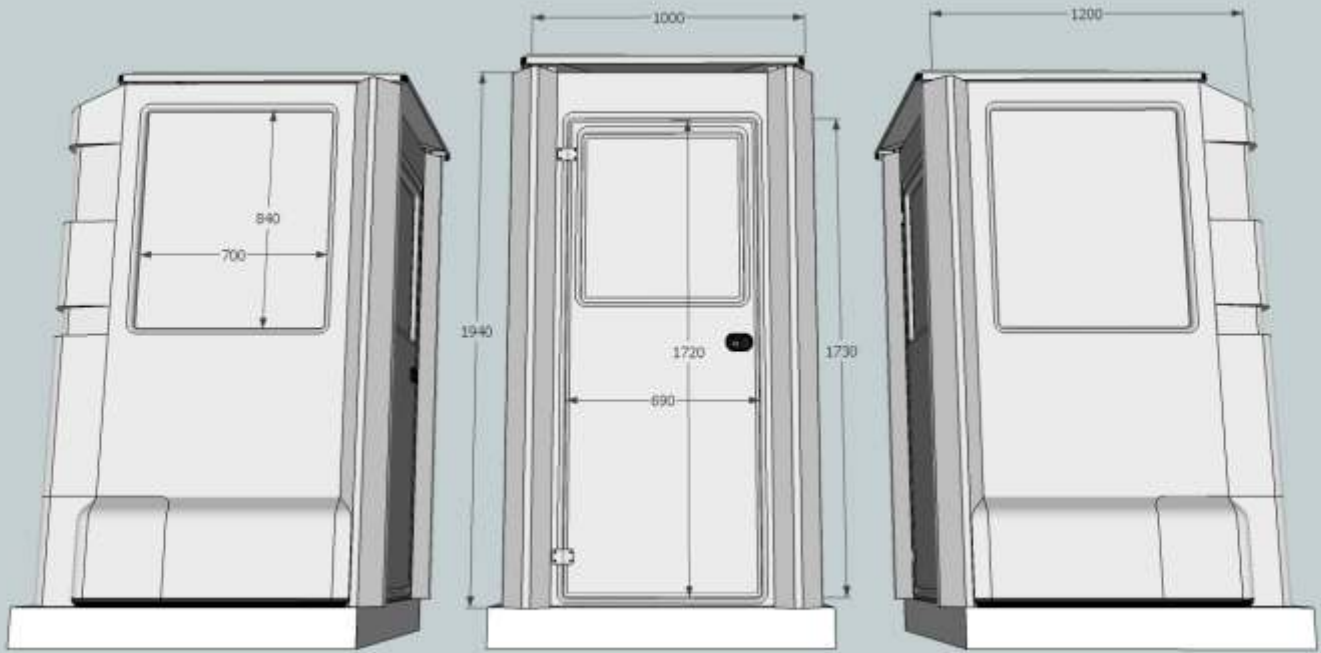
- 1 Toilet Floor Insert
- 1 **StructaBond** Base (optional)
- 4 Galvanised telescopic levelling legs

FIXINGS

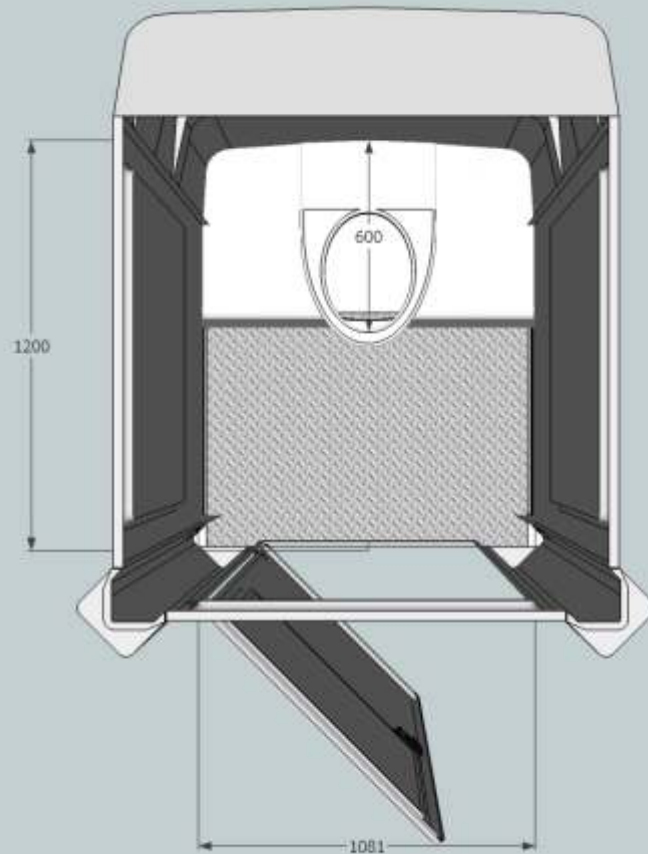
- 6 M6 x 40mm Galvanized Machine Screws
- 6 M6 Galvanized Hex Head Nuts
- 6 M6 x 25mm Galvanized Fender Washers



resoloo SINGLE ABLUTION
1200 x 1000



ISOMETRIC ELEVATION VIEW



ISOMETRIC PLAN VIEW

resoloo SINGLE ABLUTION 1200 x 1000



Moulding the Future



If using the structure for a VIP Pit Latrine, align the Lightweight VIP Base over the pit, ensuring that the base is straight and level



If using a **StructaBond** base, set the base level using the Telescopic Leveling legs



Adjust the height of the Telescopic Levelling Legs by turning the nut clock ways to go down and anti-clockways to go up



Locate the Curved Back Wall into place, by fixing down to the base with 2 x M6 x 40mm machine screws provided.



Apply a bead of Structural Polyurethane into the groove provided down the length of each side of the back wall panel



Fix the side walls into the back wall by lining up the tongue-and-groove provided and press firmly into place, wiping away any residue from the joint

resoloo SINGLE ABLUTION 1200 x 1000



Moulding the Future



Open up the side walls slightly to fit the toilet module into place,



Once located, align the toilet module with the back wall and bolt into place using 6 x M6 x 20mm machine screws provided



After fixing the toilet module into place, fix the side walls down to the slab using 2 x M6 x 40mm machine screws provided.



The Mullions are normally already attached to the door frame, but if not, fix these in place using 5 x M6 x 20mm machine screws provided. Align the door frame with the side walls and fix into place using 5 x M6 x 20mm machine screws either side



Locate the roof into place and bolt down using 4 x M8 x 50 carriage bolts provided.



If required, bolt the shelf and hand basin into place using 4 x M6 x 20mm machine screws provided.

resoloo SINGLE ABLUTION 1200 x 1000



Moulding the Future



Locate the Dual Operation Slide Latch through the opening on the door and fix into place using 4 x M5 countersunk machine screws provided.



Lastly remove the backing from the tape on the back of the Slide Latch Cover Plate and fix into place over fixings.

PITCHED ROOF OVERHANGS ENTRANCE



**AIR CIRCULATION THROUGH
APERTURES PROVIDED BETWEEN
ROOF AND TOP OF WALLS**