

decocrete

STREET FURNITURE



Moulding the Future

FIBRE OPTIC MANHOLE PREFORM 400 RING / COVER / PREFORM CHAMBER

SPECIALIZED POLYMER CONCRETE STREET FURNITURE

Falling into the generic classification of a Polymer Concrete, **resocrete** products are fabricated from a range of specialized composites, each specifically formulated to meet the unique and exacting standards and requirements of that particular product, be it structural strength, abrasive resistance, aesthetic value or any one of the many other differing factors which makes that **resocrete** product a market leader in its field.

Faced with ever increasing incidents of theft of steel manhole covers, and the danger this poses to our motorists and motorways, the **decocrete** manhole rings and covers have no scrap value, greatly reducing the incidents of theft, and are incredibly durable and meet all industry requirements of load bearing and impact resistance.

Innovation

An exciting new addition to the range of accessories for the Fibre Optic Polymer Concrete Manhole Covers and Lids is the new **StructaBond** compound.

This compound, which is lightweight with a very high impact strength, is used in the manufacture of the Preform Chamber and withstands shear forces of up to 3000kg per linear meter and compressive forces of 1,020 kilograms-force (kgf) per 70mm².

Other options are the fabrication of purpose made Lid moulds with the customer's Logo and traction detailing to reflect the company's corporate brand.

With a standard Smart Lock, customers can also opt for added security with the use of **resocrete's** unique tamper-proof locking system.

PROPERTIES AND SPECIFICATIONS

PRODUCT NAME	- FIBRE OPTIC MANHOLE PREFORM 400
APPLICATION	- FIBRE OPTIC SERVICES / CABLING
CLASS	- MEDIUM DUTY
LID DIAMETER	- 400mm
LID FLANGE DEPTH	- 30mm
LID WEIGHT	- 7.5 KG
RING OUTER DIAM	- 525mm DIAM
RING FLANGE DEPTH	- 50mm
RING WEIGHT	- 9.5 KG
CHAMBER INNER DIAM	- 500mm DIAM
CHAMBER DEPTH	- 580mm DIAM
CHAMBER WEIGHT	- 6.9 KG
LID COLOUR	- TO CUSTOMERS SPEC
LID DETAILING	- TO CUSTOMERS SPEC
PUNCH-OUTS	- 2 X 50mm & 2 X 100mm
PACKING / STACKING	- 32 UNITS PER PALLET



**FIBRE OPTIC MANHOLE PREFORM 400
WITH 50mm & 100mm SEALED PUNCH-OUTS**

Visit our web-site at www.resocrete.co.za

Copyright - all information contained in this document is copyright and is the property of Resocrete

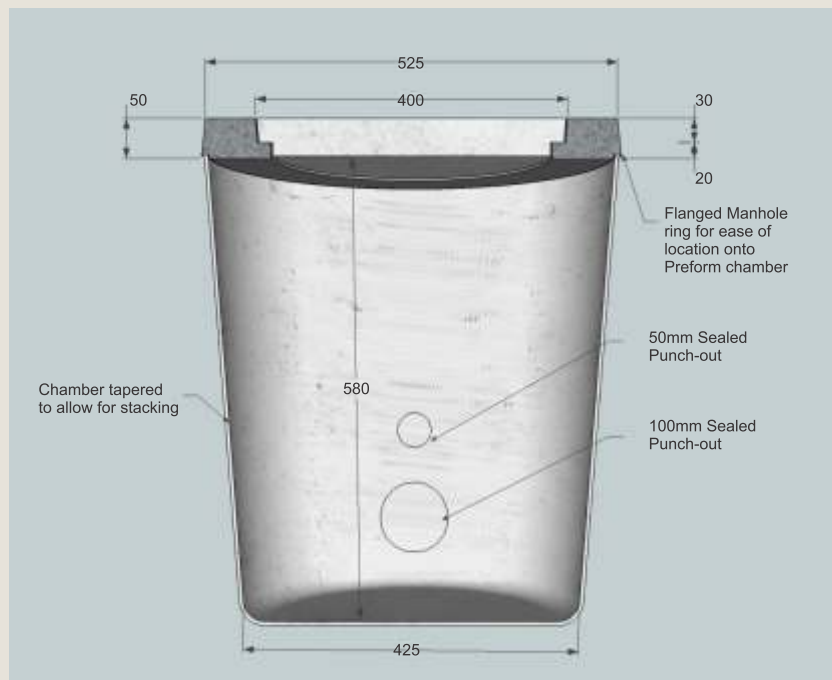


StructaBond Compound Test

- Test Compressive Load Test
- Product **Structabond** Compound
- Sample Size 10.19mm x 6.94mm x 50mm
- Load Applied 1021 kilograms-force (kgf)
- Results Sample failed at above load

GENERAL POLYMER CONCRETE MATERIAL PROPERTIES

- Compressive strength 120 Mpa
- Flexural strength 47 Mpa
- Shear strength 30 Mpa
- Modulus of elasticity 22,000 Mpa
- Specific gravity 1,82 kg/m³
- Operating temperature up to 90 C
- Rated for steel wheel traffic in terms of C&I
- Abrasion Testing carried out
- Surface Penetration during abrasion test nil mm

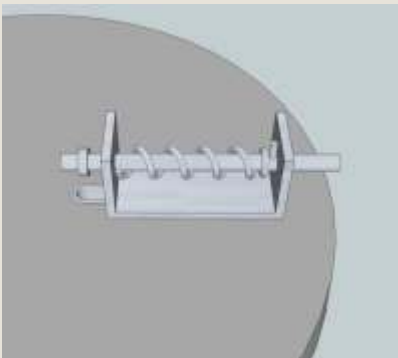
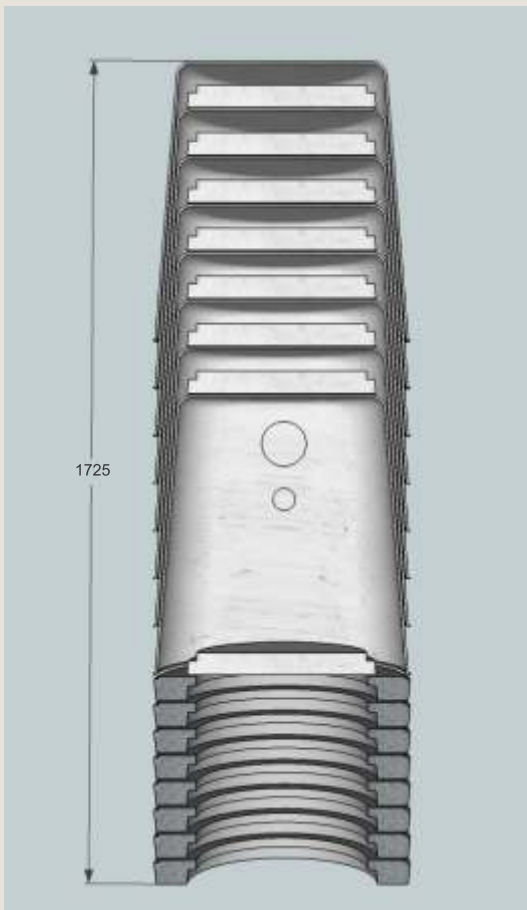


SECTION THROUGH FIBRE OPTIC MANHOLE PREFORM 400

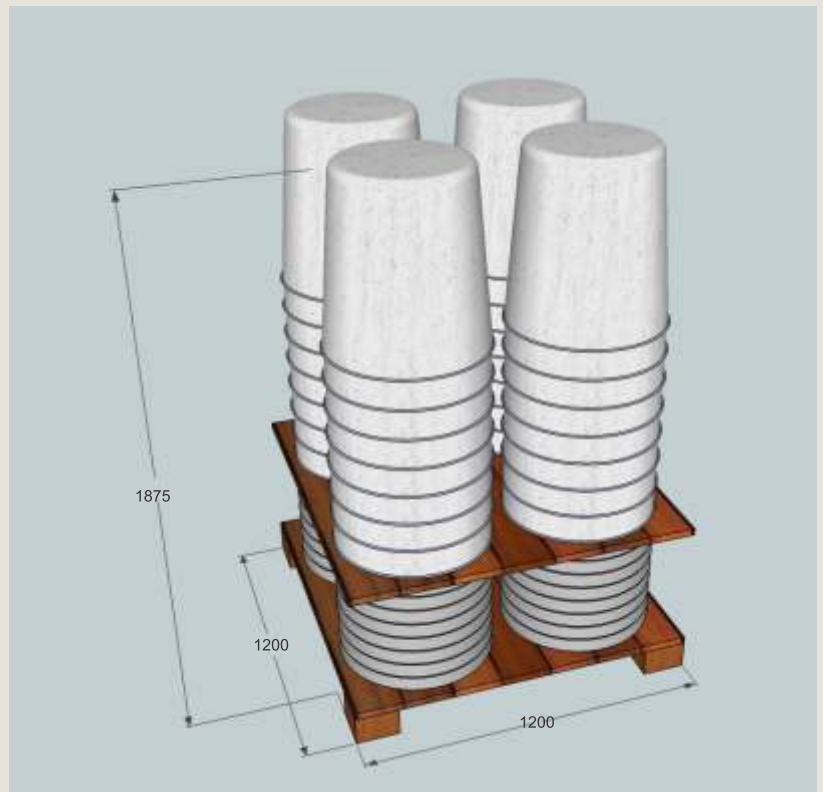
COMPONENTS FOR FIBRE OPTIC MANHOLE PREFORM 400

Technical Specifications

- Polymer concrete Lid & Ring
- **StructaBond** Preform Chamber
- Lightweight Tapered Preform Chamber allows for stacking (32 units per pallet) therefore big savings on transport
- Unique Sealed 50mm Diam & 100mm Diam Punch-outs provide maximum prevention of ingress of ground water whilst the central drainage hole ensures the egress of any water which may collect within the chamber.
- Smooth Chamber inner surface and voluminous internal cavity maximises storage of fibre slack
- High resistance to acids, alkalis and other corrosive substances
- 0% water absorption
- High shock and flexibility absorption properties
- Rated for steel wheel traffic in terms of C&I Abrasion Testing carried out



**UNIQUE TAMPER-PROOF MANHOLE LID
 LOCKING SYSTEM**



**UNIQUE TAPERED DESIGN ALLOWS FOR
 STACKING OF UP TO 32 UNITS PER PALLET**

