

# balucrete

## BALUSTRADING



*Moulding the Future*

## HERRINGBONE-CROSS

### LOW MAINTENANCE MODULAR BALUSTRADE SYSTEM

Our **balucrete** range consists of a spectrum of modular products, which, through unique design and assembly innovations, results in quick installation, reducing erection time on site, and minimizing disruptions to the work place.

Made from our MOD 42 formulation, with its superior structural and aesthetic characteristics, and outstanding fire rating, these systems result in low maintenance products, with all the beauty and deco-enhancing characteristic unique to the **resocrete** range of products.

Unlike comparative products, this system consists of a joint free pre-moulded central pattern, which is fitted between the Handrail and the Base-rail into a channel cast under the Handrail.

Components are bonded together using High Strength Epoxies, resulting in a product which will not crack, will not rust or corrode and which can be painted to the customers choice of finish.

**resocrete's** uses are almost endless. Conforming to industry safety standards of lateral loading, height and dimensional tolerances, this low maintenance system offers the very best in design variation and functionality and is the ultimate solution for affordable Balustrading and fencing.

#### Characteristics:

- . More economical than Steel, Wood or Aluminum
- . Maintenance free
- . Modular system, therefore quick, easy and hassle free installation
- . A wide range of designs to choose from
- . Impervious to water, therefore if you choose to paint it, paint will not bubble or peel.

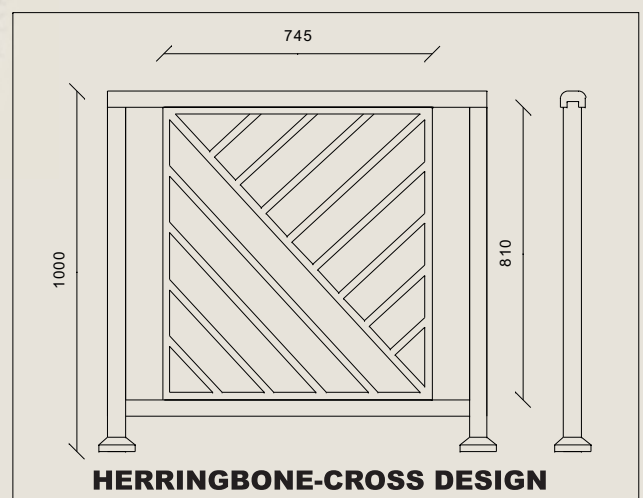
#### Herringbone-cross

**A modern design to compliment almost any architectural style**



#### Technical Specifications

- . Mod 42 Natural Stone, resin bonded formulation
- . 43 Mpa flexural strength
- . 110 Mpa compressive strength)
- . Impervious to water - paint doesn't peel
- . Outstanding UV resistance
- . High shock absorbency
- . Resistant to biological attack
- . Maintenance free



**HERRINGBONE-CROSS DESIGN**

Visit our web-site at [www.resocrete.co.za](http://www.resocrete.co.za)

Copyright - all information contained in this document is copyright and is the property of Resocrete